

RLF-4412

4" LED SQUARE REGRESSED GIMBAL RECESSED DOWNLIGHT



Fixture Type
Project
Notes



RLF-4412-SW5-WH



360° GIMBAL ROTATION
30° TILT



RLF-4412-SW5-WH complete set

LED Regressed Gimbal Downlight series is designed for residential and commercial applications. With integrated adjustable Regressed Trim in Black and White finish options, includes the remote driver. With an ultra shallow profile of merely 2-3/8" deep coupled with IC rating, this Slim Downlight is perfect for tight spaces such as soffits, insulated and suspended ceilings as well as installations directly below ceiling joists. Fixture installs flush to ceiling. Housing is not required for remodel applications. The mounting frame with hanger bars is optional for New Construction applications. The 5-level field selectable color temperature is available.



120V AC



TRIAC DIMMABLE



RECESSED TRIM



IC RATED



AIRTIGHT



4-1/4" CUT-OUT



INDOOR



L70 50,000 HOURS



5 YEAR WARRANTY



ETL US Intertek



T24 California TITLE 24

SPECIFICATIONS

INPUT VOLTAGE	120V AC
WATTAGE	12 W
LUMENS	800 Lm
EFFICACY	67 Lm/W
CRI	90+
BEAM ANGLE	38°
DIMMING ¹	TRIAC
CUT-OUT	4-1/4" Ø

RATINGS	IC, Airtight
ENVIRONMENT	Indoor - Wet
CERTIFICATIONS	cETLus, T24 Compliant
LUMEN MAINTENANCE	50,000 hours
INCLUDES	Integrated adjustable regressed gimbal trim and remote driver
OPTIONAL	Universal mounting plate with hanger bars
WARRANTY ²	5 years

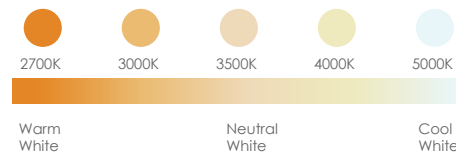
¹ Effectively dim down to 10% / See other compatible dimmers on the next page
² See published warranty terms for detailed information

PERFORMANCE

CCT selectable via switch on heatsink

COLOR TEMPERATURE ³	LUMEN ⁴	WATTAGE	EFFICACY	CRI
SW5 (27/30/35/40/50K) ⁵	800 Lm	12 W	67 Lm/W	90+

^{3&4} CCT within +/-10%
⁵ Switchable CCT



ORDERING INFO

Light Engine with LED



MODEL
RLF-4412

CCT / CRI
SW5
SW5 - Switchable CCT (27/30/35/40/50) / 90 CRI

TRIM FINISH
BK - Black
WH - White



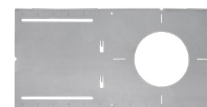
RLT-4412-BK



RLT-4412-WH

OPTIONAL ACCESSORY

(Sold separately)



MODEL
RLH-346-NC-UNI
3" Mounting Plate.
For cutout sizes 3", 4-1/4" or 6-1/4"

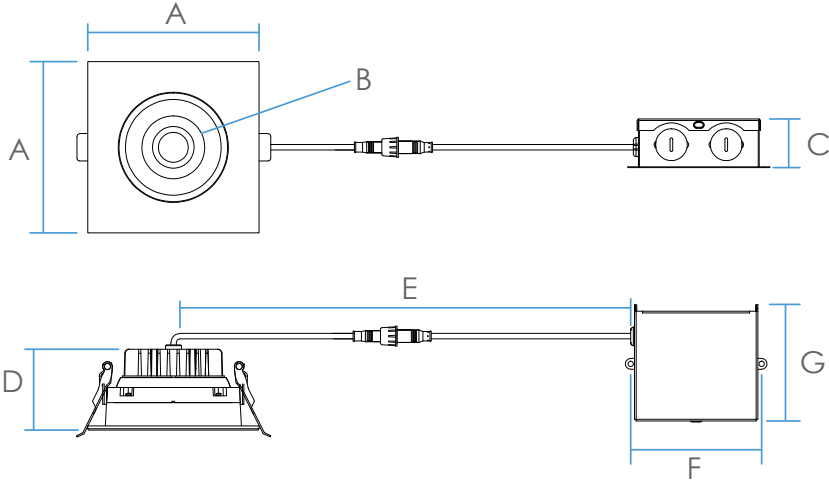
RLF-4412

4" LED SQUARE REGRESSED GIMBAL
RECESSED DOWNLIGHT



Fixture Type
Project
Notes

TECHNICAL DRAWING



DIMENSIONS

A	4-7/8" X 4-7/8"	124 mm
B	2-3/4"	70 mm
C	1-1/2"	38 mm
D	2-3/8"	60 mm
E	12"	305 mm
F	3-3/4"	95.25 mm
G	3-3/8"	86 mm

COMPATIBLE DIMMERS

COOPER	SI06P
LEVITON	6621, 6672, IPL06-10Z
LUTRON	PD-6WCL, DVCL-153P, SFTU-5A3P, DMD-LE3-D, CTCL-153P, DV-600P