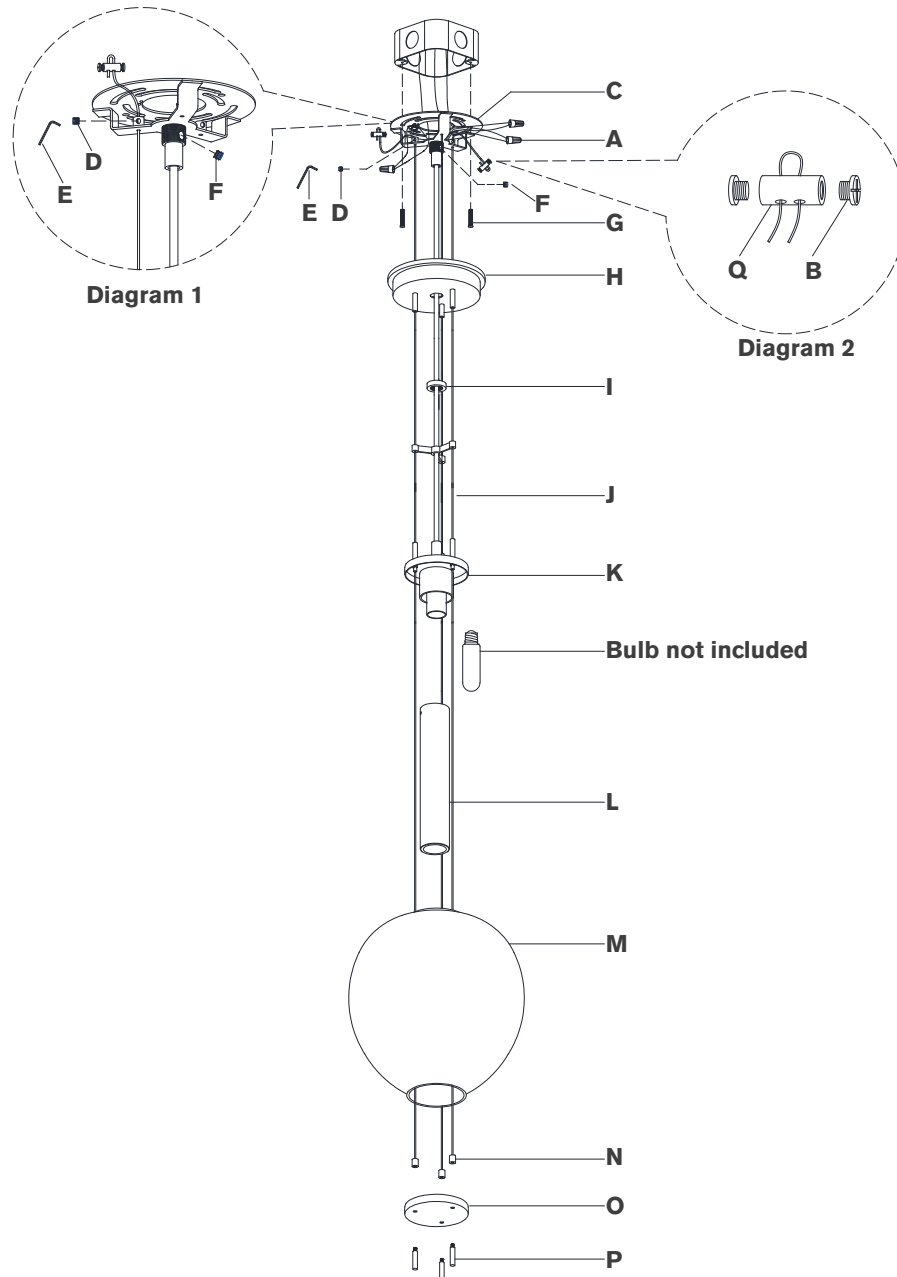


ASSEMBLY INSTRUCTIONS



Taro 13" Lantern

Item # RB5097

NOTICE:

This light fixture should be installed in accordance with all applicable, local installation codes, and by a person familiar with the construction and operation of it, as well as the hazards involved. Inspect item and contents carefully. If any damage or defect is found, do not install. Retain all packaging material until installation is complete and approved.

TOOLS REQUIRED (NOT INCLUDED):

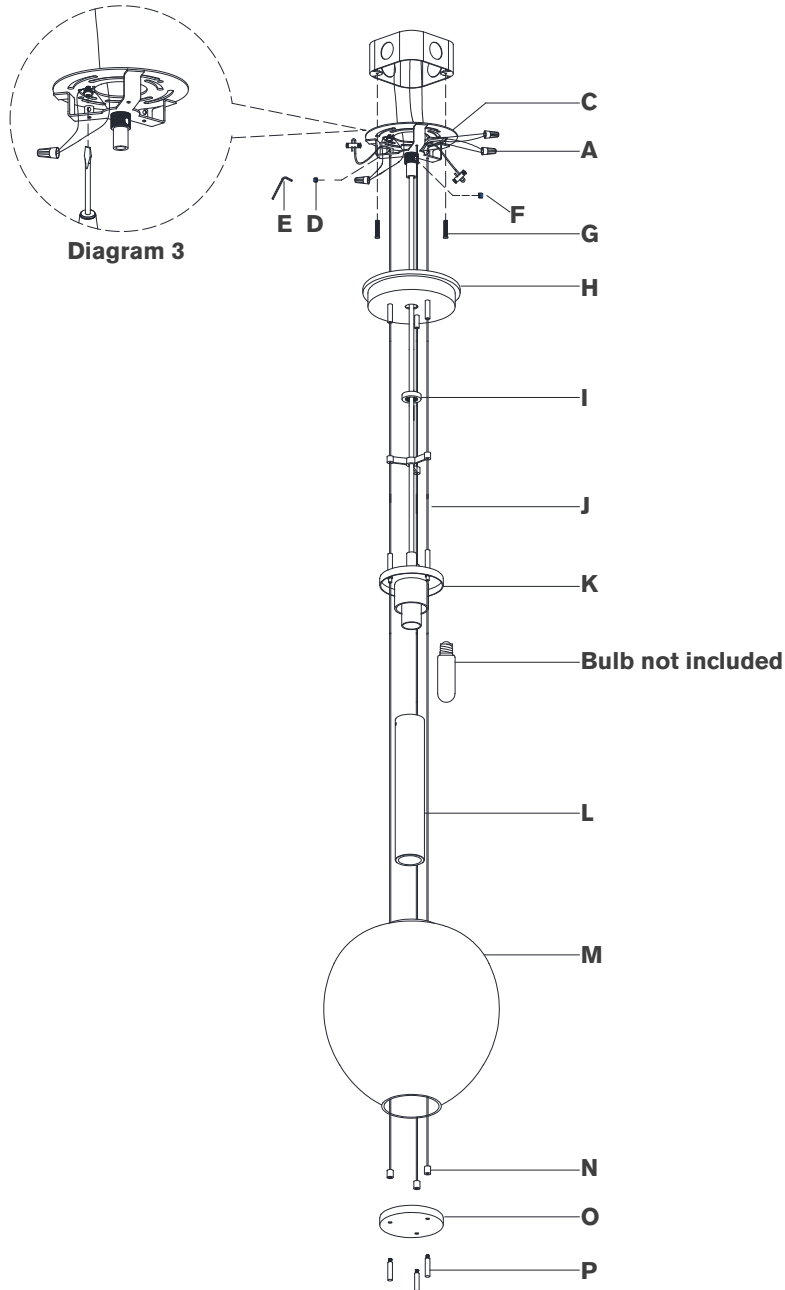
Phillips Screwdriver	Slotted Screwdriver	Wire Cutters
Wire Strippers	Measuring Tape	

1. Carefully remove all parts from the box. Place on a clean, soft surface.
2. Remove mounting plate **(C)** from canopy **(H)** by removing collar ring **(I)**.
3. Install mounting plate **(C)** to junction box and secure with mounting screws **(G)**.
4. Install light bulb into the socket.
5. Thread glass shade **(L)** to light source **(K)**.
NOTE: Do not over-tighten otherwise shade could become damaged.
6. Feed cables through glass shade **(M)**, then install bottom shade cover **(O)** to nuts **(N)** and secure with threaded rods **(P)**.
7. Holding fixture upright, slide light source **(K)** down and rest on glass shade **(M)**.
NOTE: Slide components down slowly to avoid damages.
8. Feed electrical wire and hanging cables through collar ring **(I)** and canopy **(H)**.
9. Loosen set screws **(D)** on mounting plate **(C)** using provided wrench **(E)**. See diagram 1.

VISUAL COMFORT



ASSEMBLY INSTRUCTIONS



Taro 13" Lantern

Item # RB5097

NOTICE:

This light fixture should be installed in accordance with all applicable, local installation codes, and by a person familiar with the construction and operation of it, as well as the hazards involved. Inspect item and contents carefully. If any damage or defect is found, do not install. Retain all packaging material until installation is complete and approved.

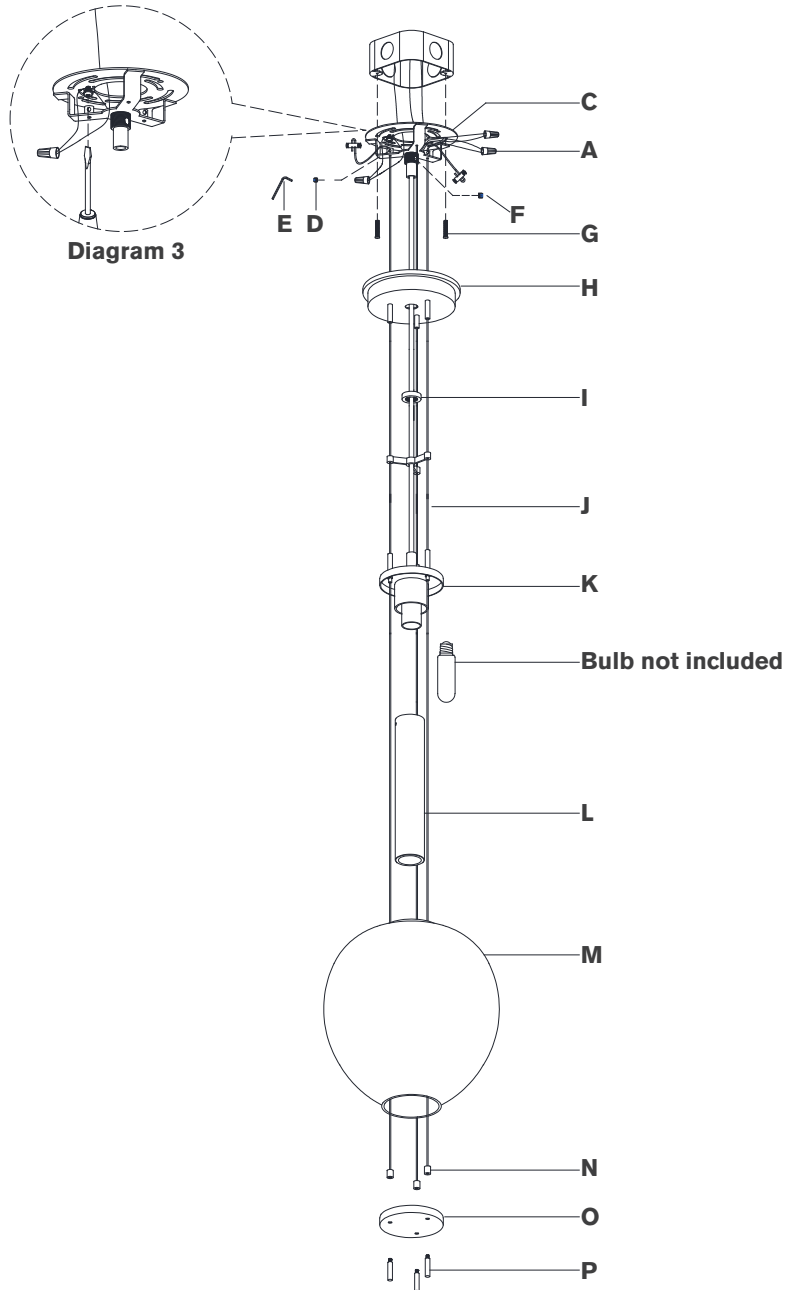
10. Route three hanging cables through holes on bracket of mounting plate **(A)**. Loosen cable lock and install to end of hanging cables. Insert other end of cables through the cable lock and adjust to desired length. Once complete re-secure screws **(B)** and set screw **(D)**. Repeat steps with the remaining wires. See diagram 1 & 2.

NOTE: Once desired height is achieved cut hanging wires using a pair of cutters. Ensure sure fixture height and level are accurate before cutting wires.
11. Loosen set screw **(F)** and feed fixture electrical wire though collar loop, then carefully adjust until light source **(K)** sits on top of glass shade **(M)**. Tighten set screw **(F)**.
12. After height for light source **(K)** is achieved shorten the wires by using a pair of cutters, leaving enough length to reach the junction box.

NOTE: Final leveling in later step will only allow for small adjustments. Make sure fixture height and fixture level are accurate before cutting wires.
13. Remove outer housing of wire by making a neat cut all the way around, about 1" from the end. Once cut is made, remove and discard the 1" piece of housing, exposing the electrical wires.

NOTE: Make sure not to cut too deep into housing or electrical wires could become damaged.
14. Separate wires, and strip insulation on each 5/8".

ASSEMBLY INSTRUCTIONS



Taro 13" Lantern

Item # RB5097

NOTICE:

This light fixture should be installed in accordance with all applicable, local installation codes, and by a person familiar with the construction and operation of it, as well as the hazards involved. Inspect item and contents carefully. If any damage or defect is found, do not install. Retain all packaging material until installation is complete and approved.

15. Wrap fixture ground wire (bare copper) around the green grounding screw (see diagram 3). Tighten. Continue fixture ground wire and connect to supply ground wire (usually green or bare copper) using wire nut **(A)**.

NOTE: It is imperative that the fixture is grounded.

16. Connect fixture neutral wire (white) to the supply neutral wire (usually white) using wire nut **(A)**.

17. Connect fixture hot wire (black) to the supply hot wire (usually black) using wire nut **(A)**.

CAUTION: Do not reverse the hot and neutral connections.

18. Make sure all wire connections are tight, then carefully tuck into the junction box.

19. Install canopy **(H)** to mounting plate **(C)** and secure with collar ring **(I)**.

Care Instructions: Clean only with a soft dry cloth or feather duster. Do not use abrasive or chemical agents.